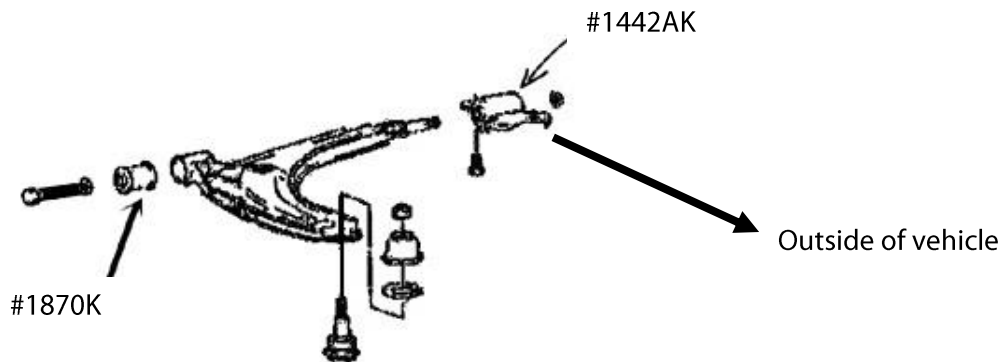


Fitting Instructions #1442AIS

Hyundai Sonata, Tiburon

Control Arm Lower Rear Bushing



#1870K Front Lower Inner Front Bush

- Remove control arm from vehicle
- Press out existing front control arm inner bush assembly
- Clean and grease all areas which have contact with bush surface and metal housing
- Push bushes into housing, grease inner bore of bush and outer surface of tube and insert the tube.

#1442AK Front Lower Inner Rear Caster Adjusting Bush Kit

- Wheel align vehicle before the job is started and note the settings.
- Remove the housing from the vehicle. Note the orientation of the bracket in the vehicle before removing.
- Press original shell part out of the housing with the use of a hydraulic press.
- The #1442AK bush needs to be pressed into the housing. Orientate the drivers side bush so that the hole in the bush is offset towards the outside of the vehicle. The passenger side bush should also be orientated so that the hole is offset towards the outside of the vehicle as per drawing below. Press the bushes into the housing with these orientations.
- Refit the bracket with the new bushes pressed in place, into the vehicle. Tension all the bolts to the manufacture specifications.
- Wheel align vehicle and check new settings.

The drawing below is shown is as standing at the front of the vehicle

