

Adjustments

Read more about settings and adjustments in your Öhlins Owner's manual.

Spring pre-load

Adjust the spring pre-load by turning the rings on the cylinder house. Use a C-spanner.

Compression damping

Adjustments are made on top of the reservoir.

Rebound damping

Adjuster wheel on the piston shaft above the end bracket.

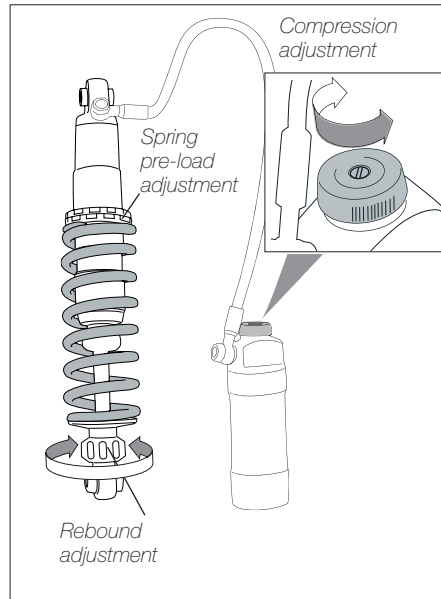
NOTE!

When delivered the Öhlins shock absorber is dialed to recommended settings for the specific brand. If you have changed the setting, reset according to the following:

The adjusters have a normal right hand thread. Turn clockwise to fully closed. Turn counter clockwise to open and count the clicks until you reach the recommended number.

CAUTION!

Do not use too much force, delicate sealing surfaces can be damaged. Do use fingers only.



Setup data

Street use (LOV 1D00-4D00, LOV 1F11-4F11, LOV 1F12-4F12)

Rebound damping 18 clicks
Compression damping 12 clicks

Street use (LOV 1F13-4F13)

Front
Rebound damping 14 clicks
Compression damping 10 clicks

Rear
Rebound damping 15 clicks
Compression damping 10 clicks

Race track (LOV1D00-4D00, LOV1F11-4F11)

Rebound damping 12 clicks
Compression damping 1 clicks

Spring pre-load

LOV1D00-4D00, LOV1F11-4F11

Front 10 mm
Rear 3 mm

LOV1F12-4F12

Front 6 mm
Rear 2 mm

LOV 1F13-4F13

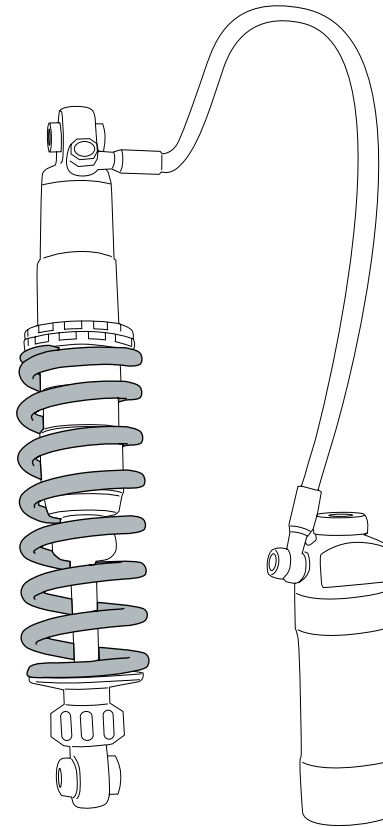
Front 6 mm
Rear 0 mm

Mounting Instructions

Öhlins shock absorber kit for Lotus Elise

Front: LOV1D00-2D00, LOV1F11-2F11,
LOV1F12-2F12, LOV1F13-2F13

Rear: LOV3D00-4D00, LOV3F11-4F11,
LOV3F12-4F12, LOV3F13-4F13



Kit contents

Before installing the shock absorber, please check the contents of the kit. If anything is missing, please contact your Öhlins dealer.

Front shock absorbers*	LOV1D00/2D00 (2)
Rear shock absorbers*	LOV 3D00/4D00 (2)
Alternative front shocks*	LOV 1F11/2F11 (2)
	LOV 1F12/2F12 (2)
	LOV 1F13/2F13 (2)
Alternative rear shocks*	LOV 3F11/4F11 (2)
	LOV 3F12/4F12 (2)
	LOV 3F13/4F13 (2)
Reservoir mounts	00230-01 (8)
Hose clamps	00643-02 (8)
Tie waps	00231-01 (8)
C-spanner	00710-01 (2)
Sticker	00192-01 (4)
Owner's manual	

*
Left - Front:
LOV1D00/ LOV1F11/ LOV1F12/LOV1F13
Right - Front:
LOV2D00/ LOV2F11/ LOV2F12/ LOV2F13
Left - Rear:
LOV3D00/ LOV3F11/ LOV3F12 / LOV3F13
Right - Rear:
LOV4D00/ LOV4F11/ LOV4F12 / LOV4F13

Before Installing

Öhlins Racing AB cannot be held responsible for any damage to shock absorber or vehicle, or injury to persons, if the instructions for fitting and maintenance are not followed exactly.

Similarly, the warranty will become null and void if the instructions are not adhered to.

LOV 1D00-4D00, LOV1F11-4F14, LOV1F12-4F13, issued 2005 11 11



Öhlins Racing AB, Box 722, S-194 27 Upplands Väsby, Sweden.
Phone +46 8 590 025 00. Fax +46 8 590 025 80.

www.ohlins.com

© Öhlins Racing AB. All rights reserved. Any reprinting or unauthorized use without the written permission of Öhlins Racing AB is prohibited. Printed in Sweden.



Safety Signals

Important information concerning safety is distinguished in this manual by the following notations:



The Safety alert symbol means:
Attention! Your safety is involved.

WARNING!

Failure to follow these warning instructions could result in **severe or fatal injury** to anyone working with, inspecting or using the shock absorber, or to bystanders.

CAUTION!

Caution indicates that special precautions must be taken to avoid damage to the shock absorber.

NOTE!

Indicates information that is of importance regarding mounting procedures.

NOTE!

During storage and transportation, especially at high ambient temperature, the oil and grease used for assembling may run out inside the packing and damage the expanded polystyrene packing material. This is not unusual and is in no way detrimental to the shock absorber.

Öhlins products are subject to continuous improvement and development. Consequently, although these instructions include the most up-to-date information available at the time of printing, there may be minor differences between your shock absorber and this manual. Please consult your Öhlins dealer if you have any questions regarding the contents of this manual.

WARNING!

1. Installing a shock absorber, that is not approved by the vehicle manufacturer, may affect the stability of your vehicle. Öhlins Racing AB cannot be held responsible for any personal injury or damage that may occur after fitting the shock absorber. Contact an Öhlins dealer or other qualified person for advice.

2. Please study and make certain that you fully understand all the mounting instructions and the owner's manual before handling this shock absorber kit. If you have any questions regarding proper installation procedures, contact an Öhlins dealer or other qualified person.

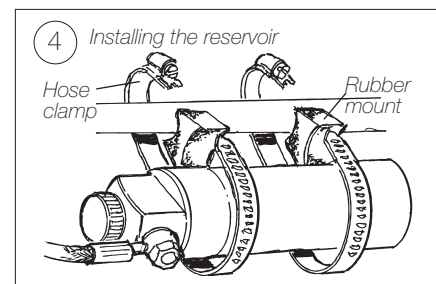
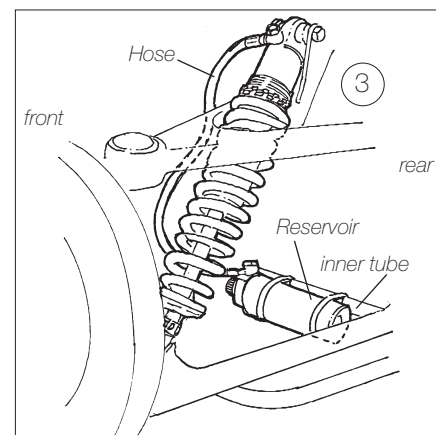
3. The vehicle service manual must be referred to when installing the Öhlins shock absorber

WARNING!

1. It is advisable to have an Öhlins dealer or other qualified person install the shock absorber.
2. Follow the instructions in the vehicle service manual when changing the shock absorber.
3. When working on a raised vehicle, make sure that it is securely supported to prevent it from falling.

Mounting Instructions - Front

- 1 Remove the wheel. **Consult your vehicle service manual.**
- 2 Remove the original shock absorber by removing the upper and lower attachments.
- 3 Install the Öhlins shock absorber in the same way as the original unit. **See figure below.**
- 4 Attach the reservoir with the provided rubber mounts to the inner tube of the lower trailing arm. Use the provided hose clamps.



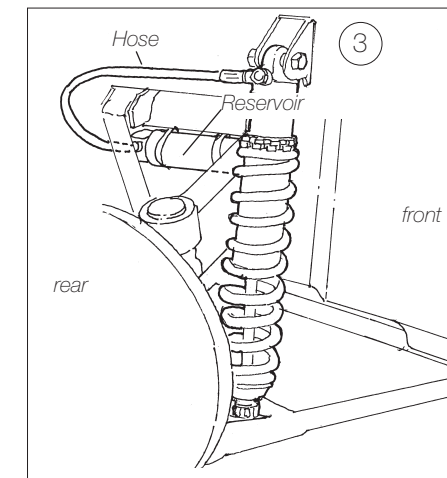
NOTE!

Lead the hose in a soft bend and make sure that nothing restricts or interferes with the shock absorber when the wheels are moving.

- 5 Reinstall the wheel.

Mounting Instructions - Rear

- 1 Remove the wheel. **Consult your vehicle service manual.**
- 2 Remove the original shock absorber by removing the upper and lower attachments.
- 3 Install the Öhlins shock absorber in the same way as the original unit.



- 4 Attach the reservoir with the provided rubber mounts to the inner tube of the upper trailing arm. Use the provided hose clamps. **See figure to the left.**

NOTE!

Lead the hose in a soft bend and make sure that nothing restricts or interferes with the shock absorber when the wheels are moving.

- 5 Reinstall the wheel.

NOTE!

Make sure that all bolts are tightened to the correct torque and that nothing fouls or restricts movement of the suspension when it is being fully compressed or extended.