



Kit Contents

	Description	Part No	Pcs
1	Shock absorber	NIS 5I30	2
2	Dust boot	10216-01	2
3	Plastic spring spacer	25602-01	2
4	Spring		2
5	Top mount assy	25633-41	2
	Lower spacer		2
	Rubber spring seat		2
	Top mount		2
	Upper spacer		2
6	M10 lock nut	24627-01	2
7	Adjustment knob	24631-04	2
8	Cable bracket 1	24650-01	2
9	Cable bracket 2	24650-02	2
10	M5x10 screw	04757-13	4
11	M8x20 screw	24628-01	2
12	C-spanner	24639-03	1
13	C-spanner	24639-01	1
14	Öhlins Sticker kit	10207-01	1
15	Öhlins Owners Manual	07451-01	1

👁 Note!

Please note that there can be small differences between your product and the images in these instructions.

👁 Note!

Please note that during storage and transport, especially at high ambient temperature, some of the oil and grease used for assembly may leak and stain the packaging. This will not cause damage to the product, wipe off the excessive oil or grease with a cloth.

👁 Note!

Before you install this product, check the kit contents. If anything is missing, please contact an Öhlins dealer.

⚠ Warning!

Before you install this product, read the Öhlins Owner's manual. This product is an important part of the vehicle and the vehicle stability.

👁 Note!

If the vehicle is equipped with OEM electronic shock absorbers, use Öhlins cancellation kit to avoid error codes. For more information and part number, please visit www.ohlins.com or contact an Öhlins dealer.

Shock absorber Kit for Nissan GT-R (R35)

NIS MI31 Front

Mounting Instructions



MOUNTING INSTRUCTIONS

⚠ Warning!

We strongly recommend to let an Öhlins dealer install this product.

⚠ Warning!

If you work with a lifted vehicle, make sure that it is safely supported to prevent it from tipping over.

👁 Note!

When you work with this product, see the vehicle service manual for vehicle specific procedures and important data.

👁 Note!

Before you install this product clean the vehicle.

1

Raise the vehicle and put it on jack stands.

⚠ Warning!

Ensure that it is securely supported.

2

Remove the front wheels.

3

Remove the lower and the upper attachments and remove the original shock absorbers.

4

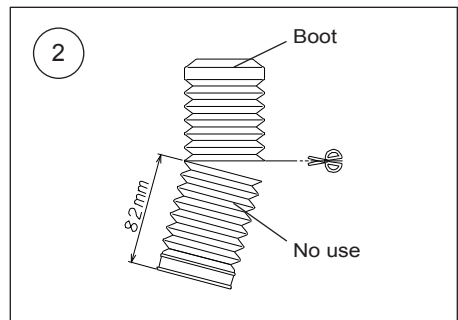
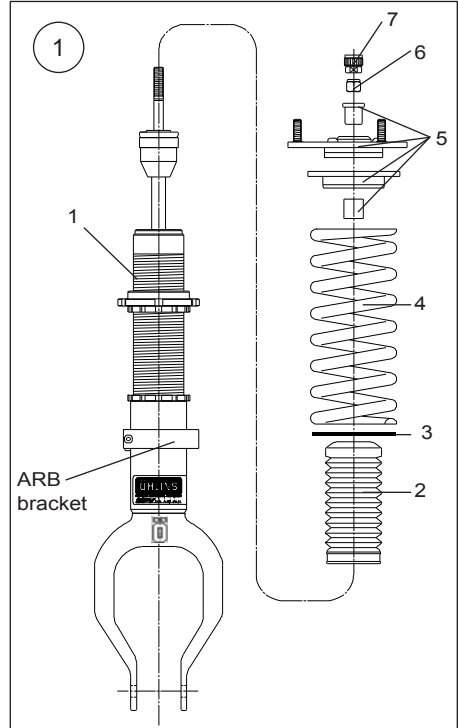
Cut the dust boot 82 mm from the lower end with a pair of scissors according to fig 2.

5

Fit the dust boot (2), the plastic spacer (3) and the spring (4) according to Fig 1. Continue installing the top mount assembly (5) by fitting the lower spacer, the upper rubber seat, the top mount itself and the upper spacer. Fit the lock nut (6) and tighten to 20 Nm. Lastly fit the adjustment knob (7) and tighten to 10 Nm.

6

Fit Cable bracket 1 (8) and cable bracket 2 (9) to the ARB bracket on the shock absorber with the supplied M5 screws (10) according to Fig 3 and 4. Tighten the screws to 10 Nm.



MOUNTING INSTRUCTIONS

7

Set the spring preload by adjusting the spring preload adjuster according to fig 5. Tighten the lock ring to 50-60Nm. Set the height adjuster according to Fig 5 and tighten the lock ring to 50-60 Nm.

Note!

When tightening the top mount nut, the shock absorber shaft must be held in position with an allen key.

8

Install the Öhlins shock absorbers to the vehicle according to fig 4.

Note!

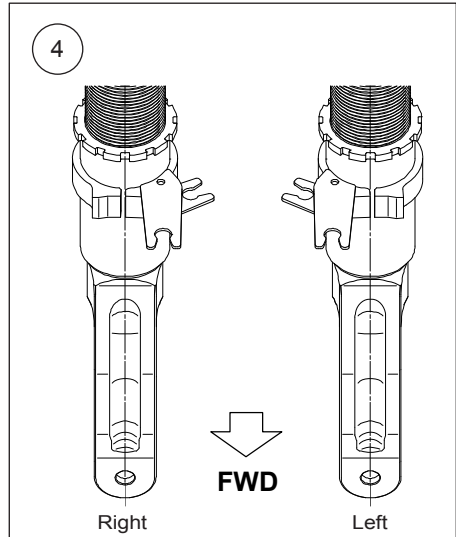
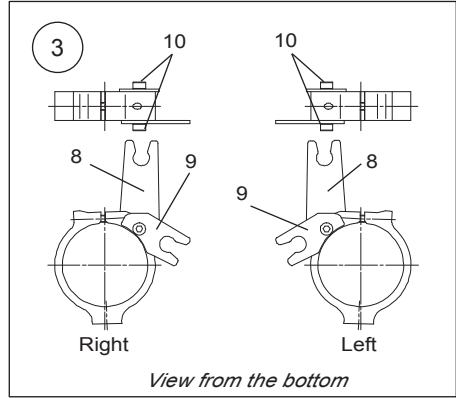
Make sure that all bolts are tightened to the correct torque and that nothing fouls or restricts movement of the shock absorber when it is being fully compressed or extended. Test this over the whole steering range from lock to lock.

9

Install the car's anti roll bar link to the ARB bracket of the shock absorber using the supplied M8 screw (11).

10

Make sure that all removed parts are reinstalled in the same way as they were before the installation of the Öhlins shock absorber.



ADJUSTMENTS

⚠ Warning!

Before you ride/drive, always make sure that the setup is according to the recommended setup data. Read about adjustments and setting up in the Öhlins Owner's Manual before you make any adjustments. Contact an Öhlins dealer if you have any questions about setting up.

The standard preload is 2 mm from a free length of 200 mm, giving 198 mm installed length, see fig 5.

SETUP DATA

Recommended set-up

Rebound setting		
Track	0-7	clicks
Winding road	5-10	clicks
Street	10-20	clicks

Spring

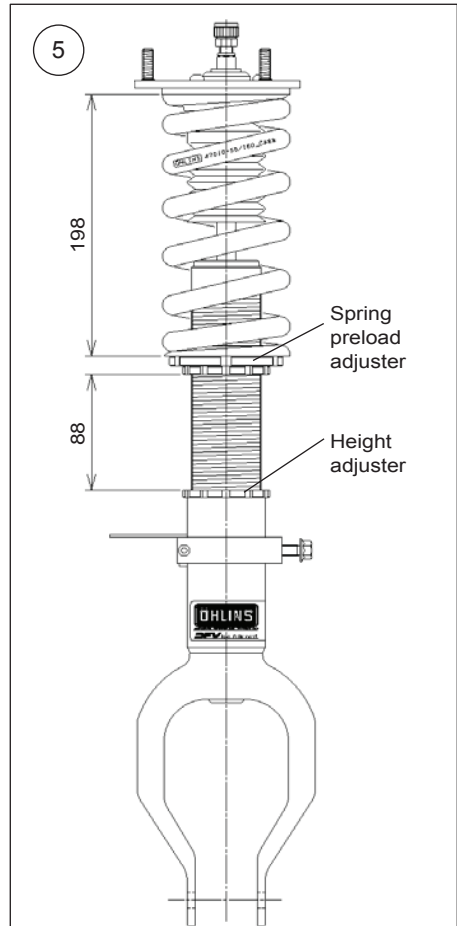
48010-55 (160 N/mm)

Vehicle height adjustment range

With both the spring preload and height adjustments in their recommended positions, the vehicle is lowered approximately 10 mm when compared to the original suspension. Depending on car model and equipment, the spring preload may vary. Make sure that the spring is always preloaded.

⚠ Warning!

The spring preload adjustment range is 2-10 mm, giving approximately 2-10 mm lower ride height. The adjustment range of the height adjuster is ± 15 mm from the recommended



position. Moving the height adjuster outside the recommended position may cause the wheel to hit the fender liner/inner wheel well.

Öhlins products are subject to continuous improvement and development, therefore, although these instructions include the most up-to-date information available at the time of printing, minor updates may occur.

To find the latest information contact an Öhlins distributor. Please contact Öhlins if you have any questions regarding the contents in this document.

Part no. MI_NIS MI31_0
Issued 2020-11-02

© Öhlins Racing AB. All rights reserved. Any reprinting or unauthorized use without the written permission of Öhlins Racing AB is prohibited.

Öhlins Racing AB
Box 722
S-194 27 Upplands Väsby, Sweden
Phone +46 8 590 025 00
fax +46 8 590 025 80



www.ohlins.com



Kit Contents

Description	Part No	Pcs
1 Shock absorber	NIS 6I30	2
2 Dust boot	10216-01	2
3 Plastic spring spacer	25602-01	2
4 Spring		2
5 Lower spacer	24629-13	2
6 Rubber spring spacer	25601-01	2
7 Upper spring seat	25618-02	2
8 Upper spacer	24623-02	2
9 M10 lock nut	24618-01	2
10 Adjuster	24631-03	2
11 M12 lock nut	24626-02	2
12 Control wire	24632-04	2
13 Adjustment wheel	24633-01	2
14 M4 screw	24633-02	2

👁 Note!

Please note that there can be small differences between your product and the images in these instructions.

👁 Note!

Please note that during storage and transport, especially at high ambient temperature, some of the oil and grease used for assembly may leak and stain the packaging. This will not cause damage to the product, wipe off the excessive oil or grease with a cloth.

👁 Note!

Before you install this product, check the kit contents. If anything is missing, please contact an Öhlins dealer.

⚠ Warning!

Before you install this product, read the Öhlins Owner's manual. This product is an important part of the vehicle and the vehicle stability.

Shock absorber Kit for Nissan GT-R (R35)

NIS MI31 Rear

Mounting Instructions



MOUNTING INSTRUCTIONS

⚠ Warning!

We strongly recommend to let an Öhlins dealer install this product.

⚠ Warning!

If you work with a lifted vehicle, make sure that it is safely supported to prevent it from tipping over.

👁 Note!

When you work with this product, see the vehicle service manual for vehicle specific procedures and important data.

👁 Note!

Before you install this product clean the vehicle.

1

Raise the vehicle and put it on jack stands.

⚠ Warning!

Ensure that it is securely supported.

2

Remove the rear wheels.

3

Remove the lower and the upper attachments and remove the original shock absorbers.

4

Cut the dust boot 30 mm from the lower end with a pair of scissors according to fig 2.

5

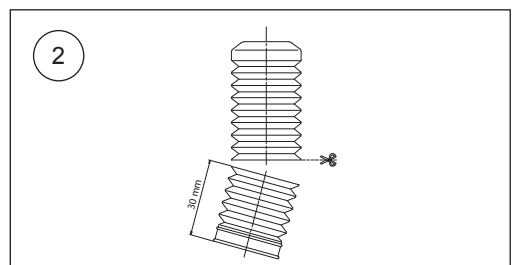
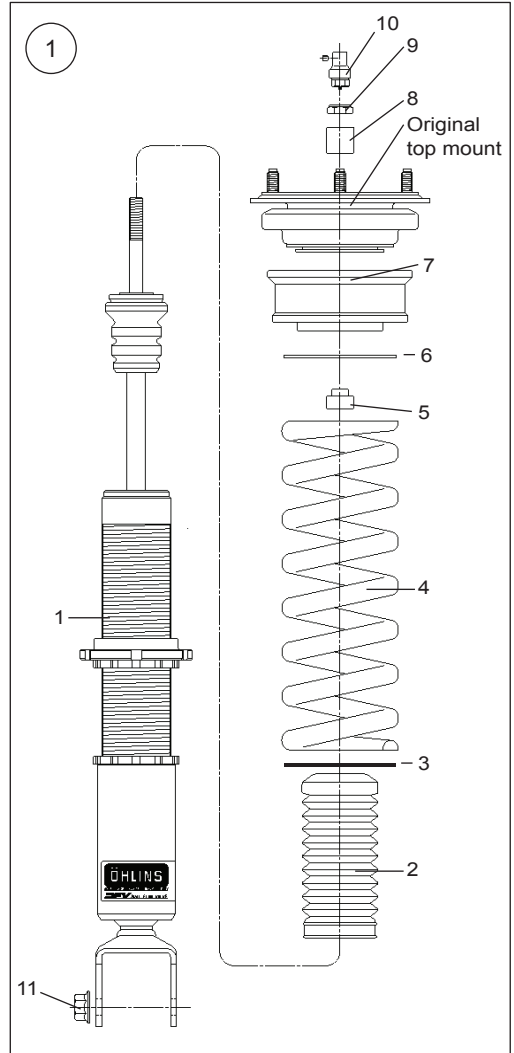
Fit the dust boot (2), the plastic spring spacer (3), the spring (4), the lower spacer (5), the rubber spring spacer (6), the upper spring seat (7), the OEM top mount and the upper spacer (8) according to Fig1 and 3. Fit the M10 lock nut (9) and tighten to 20Nm. Lastly fit the adjuster (10) and tighten to 10Nm.

👁 Note!

When tightening the top mount nut, the shock absorber shaft must be held in position with an allen key.

6

Set the spring preload by adjusting the spring preload adjuster according to fig 5. Tighten the lock ring to 50-60Nm. Set the height adjuster according to Fig 5 and tighten the lock ring to 50-60Nm.



MOUNTING INSTRUCTIONS

7

Install the Öhlins shock absorbers on the vehicle.

👁️ Note!

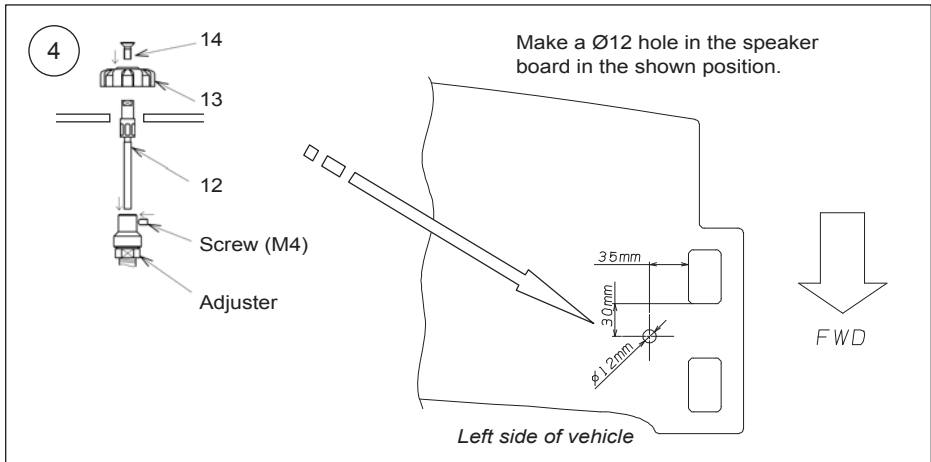
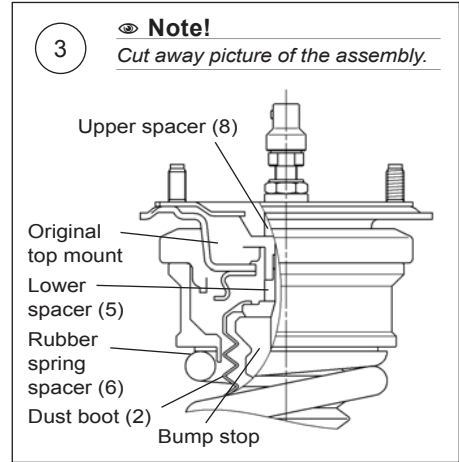
Make sure that all bolts are tightened to the correct torque and that nothing fouls or restricts movement of the shock absorber when it is being fully compressed or extended.

8

Make sure that all removed parts are reinstalled in the same way as they were before the installation of the Öhlins shock absorber.

9

Sub-assemble the wire by fastening the adjustment wheel (13) to the control wire (12) and tightening the M4 screw (14) as shown in Fig 4. Insert the wire through the oval hole in the speaker board and run it inside the vehicle. Insert the end of the control wire into the adjuster on the shock absorber and fasten it by tightening the screw on the adjuster with an allen key.



ADJUSTMENTS

⚠ Warning!

Before you ride/drive, always make sure that the setup is according to the recommended setup data. Read about adjustments and setting up in the Öhlins Owner's Manual before you make any adjustments. Contact an Öhlins dealer if you have any questions about setting up.

The standard preload is 2 mm from a free length of 250 mm, giving 248 mm installed length, see fig 5.

SETUP DATA

Recommended set-up

Rebound setting		
Track	0-7	clicks
Winding road	5-10	clicks
Street	10-20	clicks

Spring

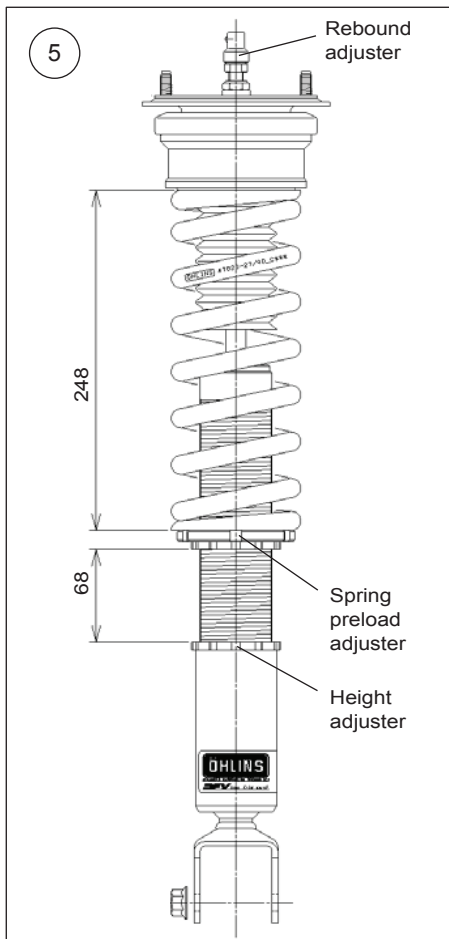
48030-27 (90N/mm)

Vehicle height adjustment range

With both the spring preload and height adjustments in their recommended positions, the vehicle is lowered approximately 10 mm when compared to the original suspension. Depending on car model and equipment, the spring preload may vary. Make sure that the spring is always preloaded.

⚠ Warning!

The spring preload adjustment range is 2-10 mm, giving approximately 2-10 mm lower ride height. The adjustment range of the height adjuster is ± 15 mm from the recommended



position. Moving the height adjuster outside the recommended position may cause the wheel to hit the fender liner/inner wheel well.

Öhlins products are subject to continuous improvement and development, therefore, although these instructions include the most up-to-date information available at the time of printing, minor updates may occur.

To find the latest information contact an Öhlins distributor. Please contact Öhlins if you have any questions regarding the contents in this document.

Part no. MI_NIS MI31_0
Issued 2020-11-02

© Öhlins Racing AB. All rights reserved. Any reprinting or unauthorized use without the written permission of Öhlins Racing AB is prohibited.

Öhlins Racing AB
Box 722
S-194 27 Upplands Väsby, Sweden
Phone +46 8 590 025 00
fax +46 8 590 025 80



www.ohlins.com