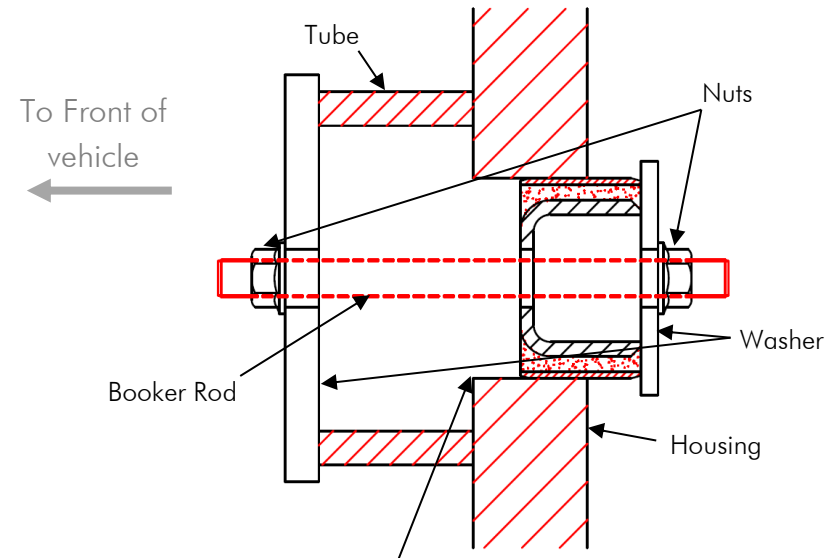


Fitting Instructions #5133IS

Nissan Pathfinder R51

Diff to Cross-member to Chassis

- Jack vehicle up, put on stands/hoist and lower and/or lower the differential to access the rear differential bushes.
 - Support the differential with a stand and remove the two rear differential bolts before removing the front pinion mount bolt.
 - Mark axles with a paint pen for alignment and disconnect axles.
 - Mark drive shaft with paint pen and disconnect drive shaft.
 - Lower the differential from the vehicle.
- To remove the factory bushes without removing the sub frame you can use an electric saw/drill to cut them out; (See Figure 2.)
- Alternatively, you can remove the rear sub frame assembly and burn the bushes out or other suitable tool to push them out;
- To install the new Superpro Bushes, apply the grease supplied on the outside of the shell and push it into the sub frame. You will need a booker rod, washers, tube, nuts and tools including spanner, ratchet or impact gun; (See Figure 1)
- Hold the nut on one end with a spanner and start winding the nut on the other end;
- Ensure that all bolts are tightened to the manufacture's specifications.



Bush sits flush on this end

Figure 2. Booker Rod Installation Diagram.

View from Rear of Vehicle



Note the bush position in the sub frame

Figure 1. Sub-frame preparation and installation examples.