

FPR Range



The TurboSmart FPR Range provides market-leading fuel control and response via true 1:1 ratio and superior flow and bypass capacity for vehicles fuel systems. Utilising our Stainless-Steel Valve Seat & Milspec Diaphragm the FPR Range Series is suitable for all Fuel types including Race Fuel and aggressive leaded fuels. Our FPR Range steps up in 1/8" NPT -6, -8, and -10 inlet and outlet and return fittings and is Available in Standard (35psi to 80psi) as well as LP (3psi to 20psi) for Low Pressure and Carburettor Systems.

- 1/8" NPT gauge fittings
- MILSPEC diaphragm
- Suitable for all fuels
- Non-directional inlet feed logic
- 1:1 true reference pressure ratio
- 35-80psi base pressure adjustable

Mechanical Data	1/8" NPT	-6AN	-8AN	-10AN
Control diameter	4mm	6mm	8mm	12.5mm
Mass	294g	304g	300g	411g
Horsepower Rating	800hp	1200hp	2000hp	2500hp
Safe working pressure max.	1240 kPag / 180 psig / 12 bar			
Actuator life	>10000k cycles @ 180°C ambient			
Piston pressure bias	1:1			
Max. spring base pressure	550 kPag // 80 psig // 5.51 bar			
Min. spring base pressure	240 kPag // 35psig // 2.41 bar			
Port fittings type				
Signal:	1/16"NPT	1/16"NPT	1/16"NPT	1/16"NPT
Inlet:	1/8" NPT	-6AN	-8AN	-10AN
Outlet:	1/8" NPT	-6AN	-8AN	-10AN
Return:	1/8" NPT	-6AN	-8AN	-10AN

Thermal Data	
Min. Operating Temperature	-30°C
Max. Operating Temperature	200°C

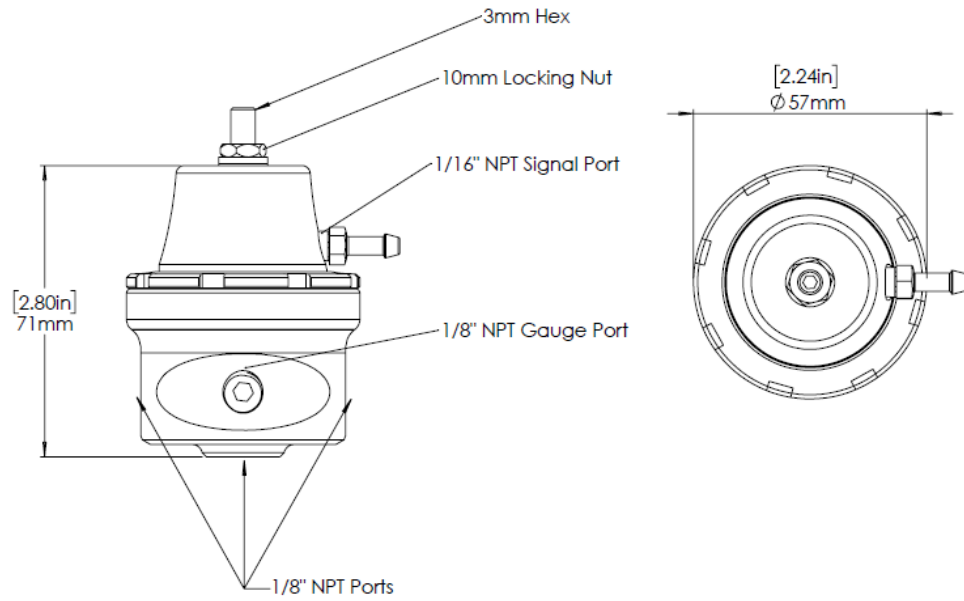
Regulated Flow Data				
L/h @35psig	713	1836	3650	10044
L/h @80psig	1080	2786	551	15250
gal/min @35psig	3.14	8.08	16.07	44.22
gal/min @80psig	4.76	12.27	24.44	67.14
Regulation Slope	0.0349kPa/Lh (1.1499psi/Gpm)			

Material Data	
Beryllium (Be)	0%
Main body	6262 T6 anodised Al.
Valve	Stainless Steel
Valve Seat	Stainless Steel
Elastomers	Viton
Diaphragm	Proprietary MILSPEC
Springs	17-7 Stainless Steel

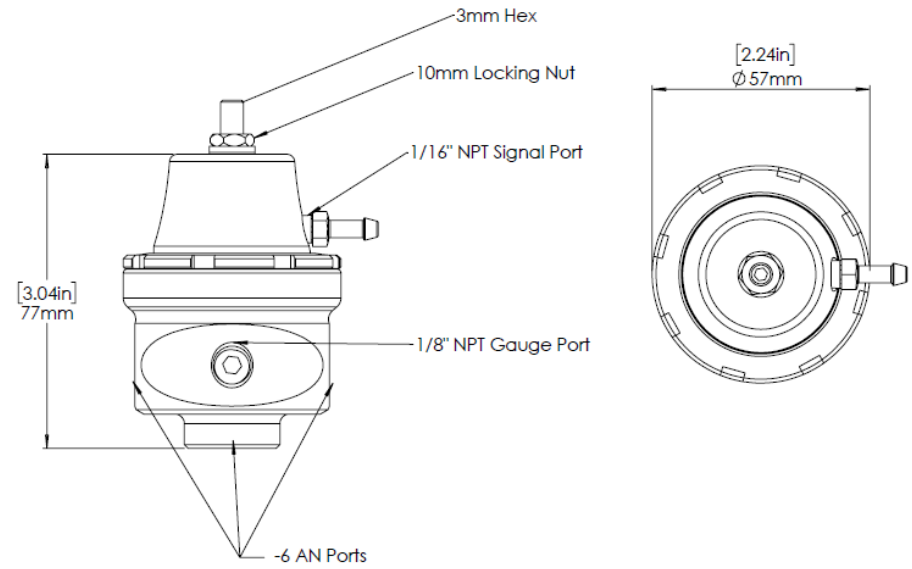
Order Data	Refer to catalogue for accessories
TS-0404-1015	FPR Kompact (1/8"NPT) Sleeper
TS-0404-1021	FPR6 Blue
TS-0404-1022	FPR6 Black
TS-0404-1023	FPR6 Purple
TS-0404-1024	FPR6 Red
TS-0404-1031	FPR8 Blue
TS-0404-1032	FPR8 Black
TS-0404-1033	FPR8 Purple
TS-0404-1034	FPR8 Red
TS-0404-1041	FPR10 Blue
TS-0404-1042	FPR10 Black
TS-0404-1043	FPR10 Purple
TS-0404-1044	FPR10 Red
TS-0402-2023	0-100psi Liquid Filled Gauge
TS-0402-1107	FPR Fitting Kit – 1/8" NPT to 6mm
TS-0402-1108	FPR Fitting Kit – 1/8" NPT to 8mm
TS-0402-1112	FPR Fitting Kit – 1/8" NPT to -6AN
TS-0402-1115	FPR Fitting Kit 1/8 NPT -10mm
TS-0402-1123	1/8" NPT to 1/8" NPT Female 90°

*Power calculated is using industry average values, please allow for some safety margin for your application, if in doubt, the next size up regulator is a safe decision.

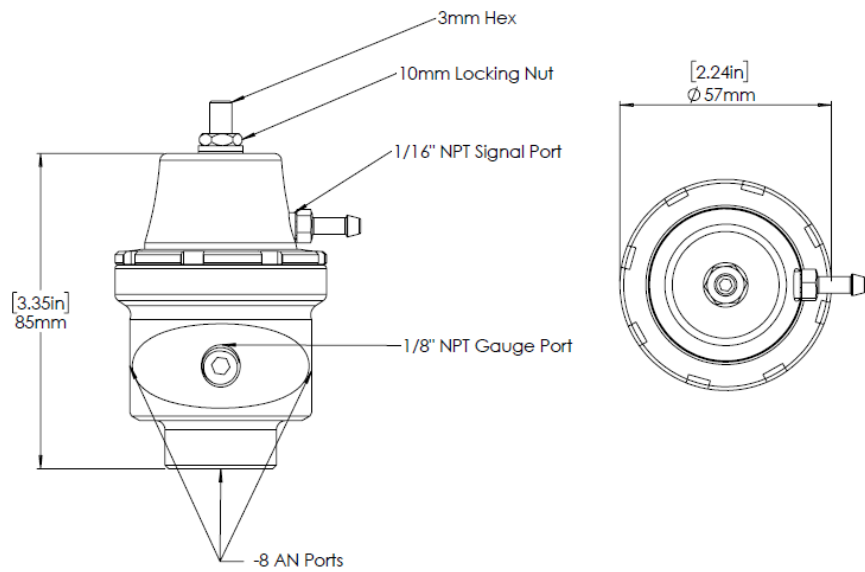
FPR Kompact (1/8" NPT) Sleeper



FPR6



FPR8



FPR10

